



WEB PANEL - Browser based efficient control



# WEB PANEL

4.0 evolution of the classic HMI client

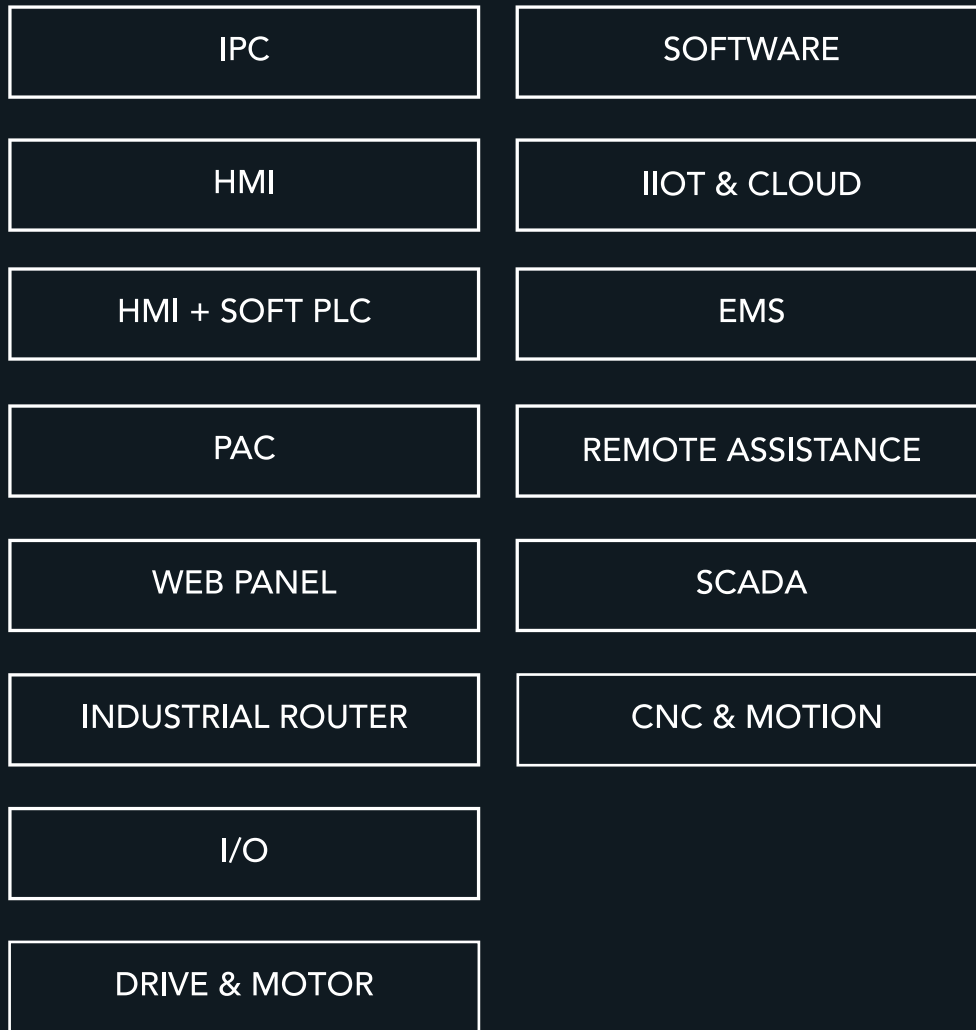
Connect ideas.  
Shape solutions.

ESA S.p.A. | [www.esa-automation.com](http://www.esa-automation.com) |

WEB PANEL - Browser based efficient control

# Overview

## Smart Tech. Ease of Use.





Linux



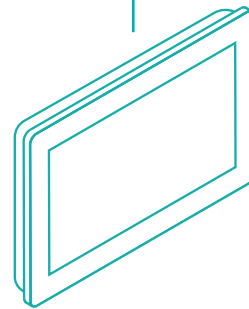
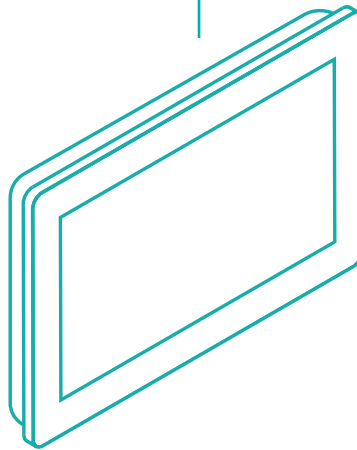
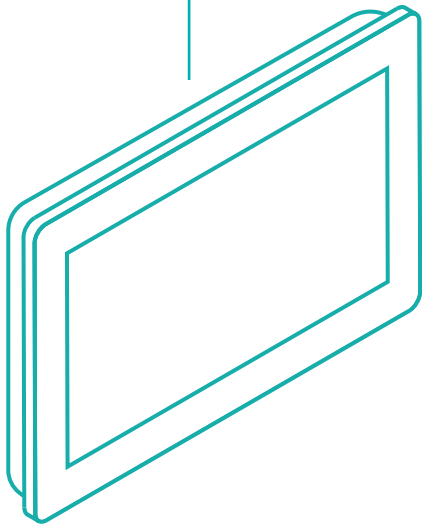
Android



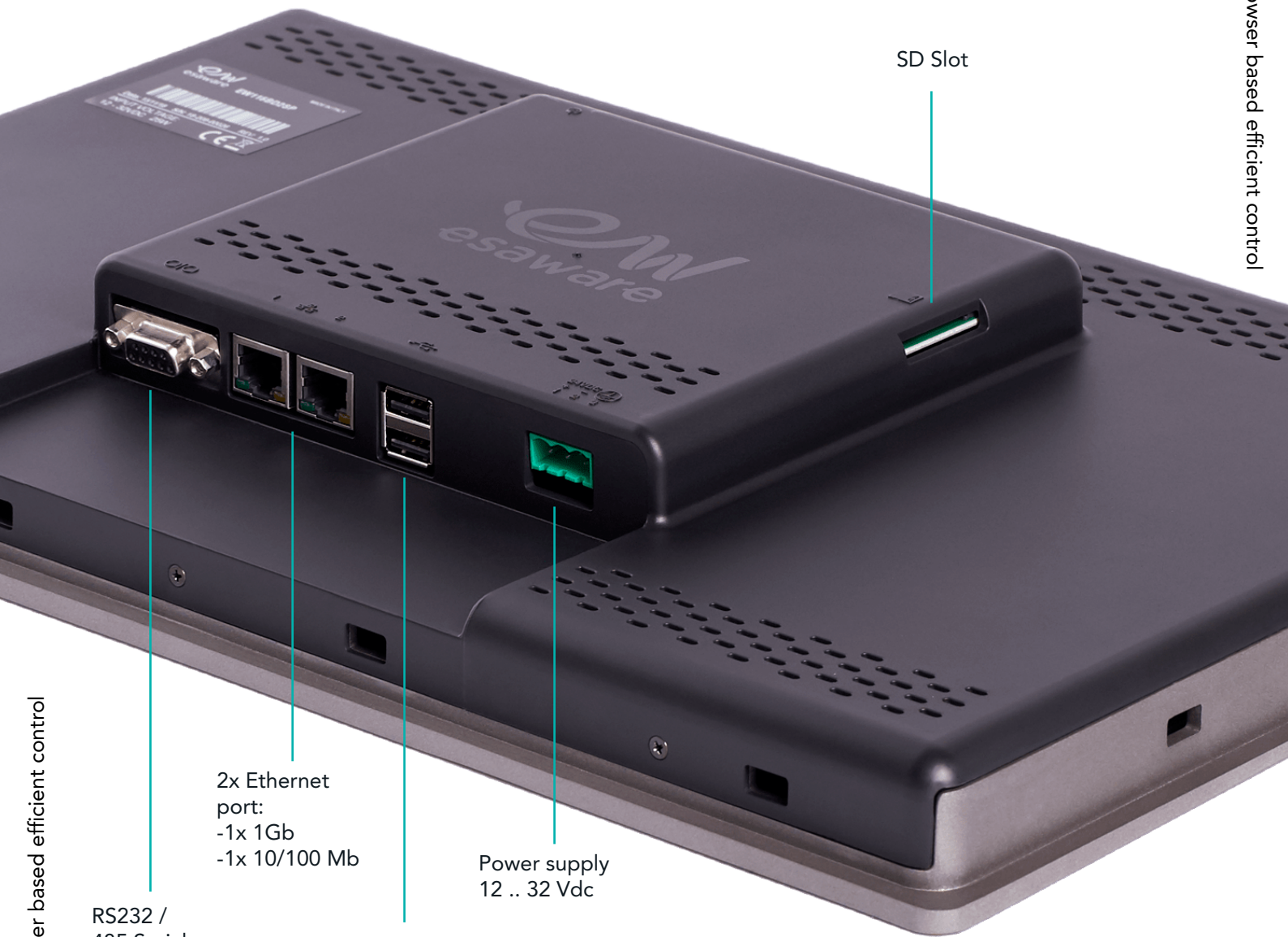
15.6"

10.1"

7"



## System configuration



SD Slot

2x Ethernet port:  
-1x 1Gb  
-1x 10/100 Mb

Power supply  
12 .. 32 Vdc

RS232 /  
485 Serial  
port

USB port  
2x USB-A

ESA Web Panel represents the Industry 4.0 based evolution of the classic HMI client. Thanks to the powerful built-in browser and the true flat display up to 15,6", it optimizes the visualization of production data and of any interface developed in HTML5.

Based on Android or Linux OS add more possibility to be tailored on the customer needs, not only to install any kind of application but also customize the launcher and store server.

## FEATURES

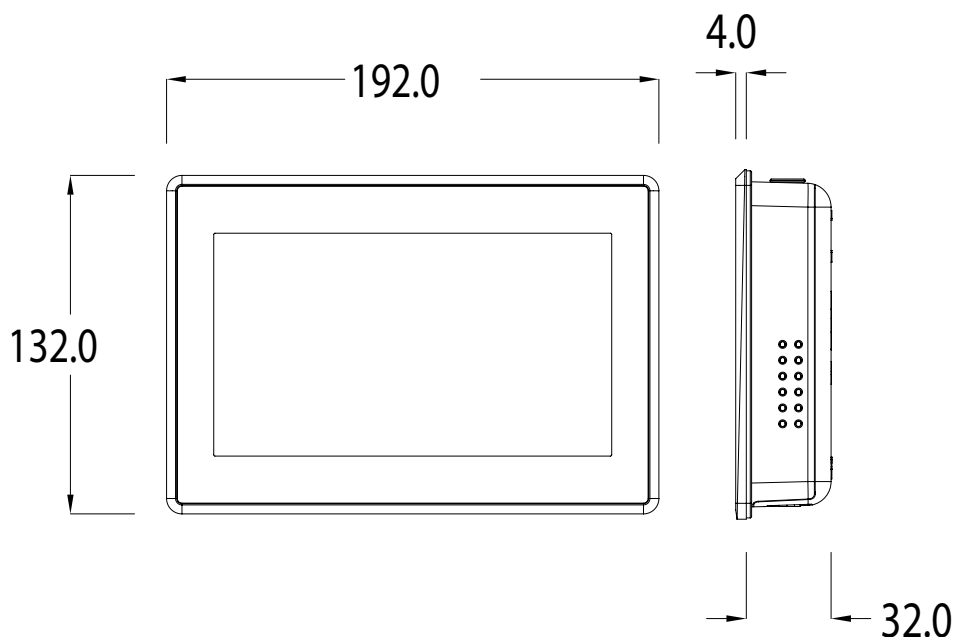
- + Display true flat from 7" to 15" with capacitive touch screen.
- + Can display production data from any controller that generates HTML5 pages (PC or PLC)
- + Industrial grade hardware based on powerful Cortex A9 quad core processor.
- + 2 Ethernet ports.
- + DDR3L RAM 2 Gb on board.
- + SDHC card reader.

## APPLICATION

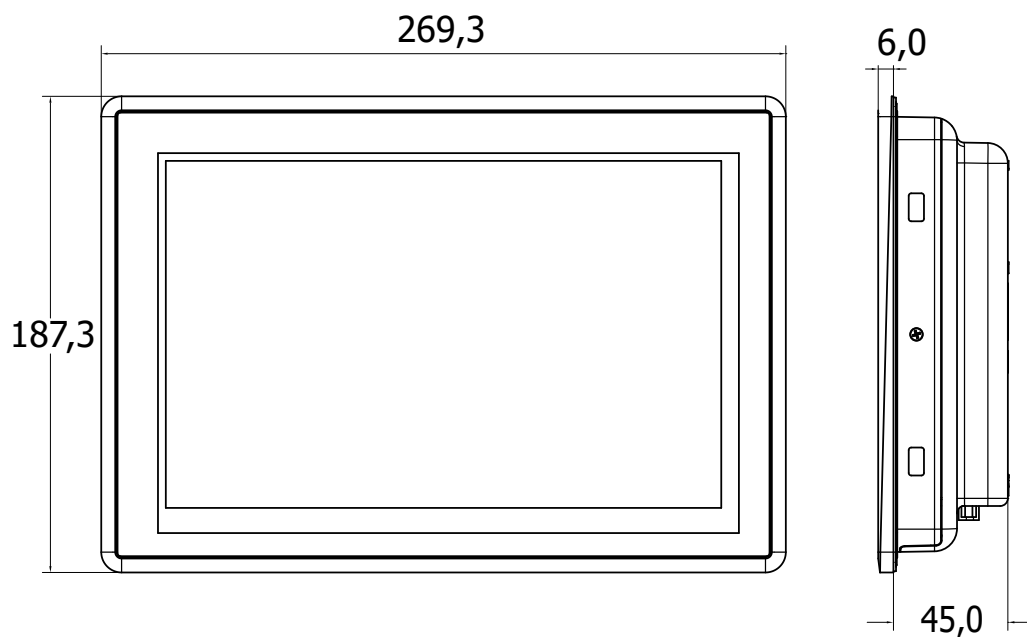
- + Packaging Machine
- + Plastic and rubber machine
- + Steel and Wood working machine
- + CNC
- + Food processing machine
- + Robotics

- + Enhanced by Automation browser (optional)
  - Has been designed for the automation market
  - Extending significantly the range of control platforms, to visualize HTML5 and Java web pages.
  - Can manage the connection with multiple webservers; once opened, the browser shows the list of controllers to which HMI is connected.
- + Panel and VESA solution as option
- + CE / EN 60068-2-6 / EN60068-2-27 / Humidity EN60068-2-30 / UL

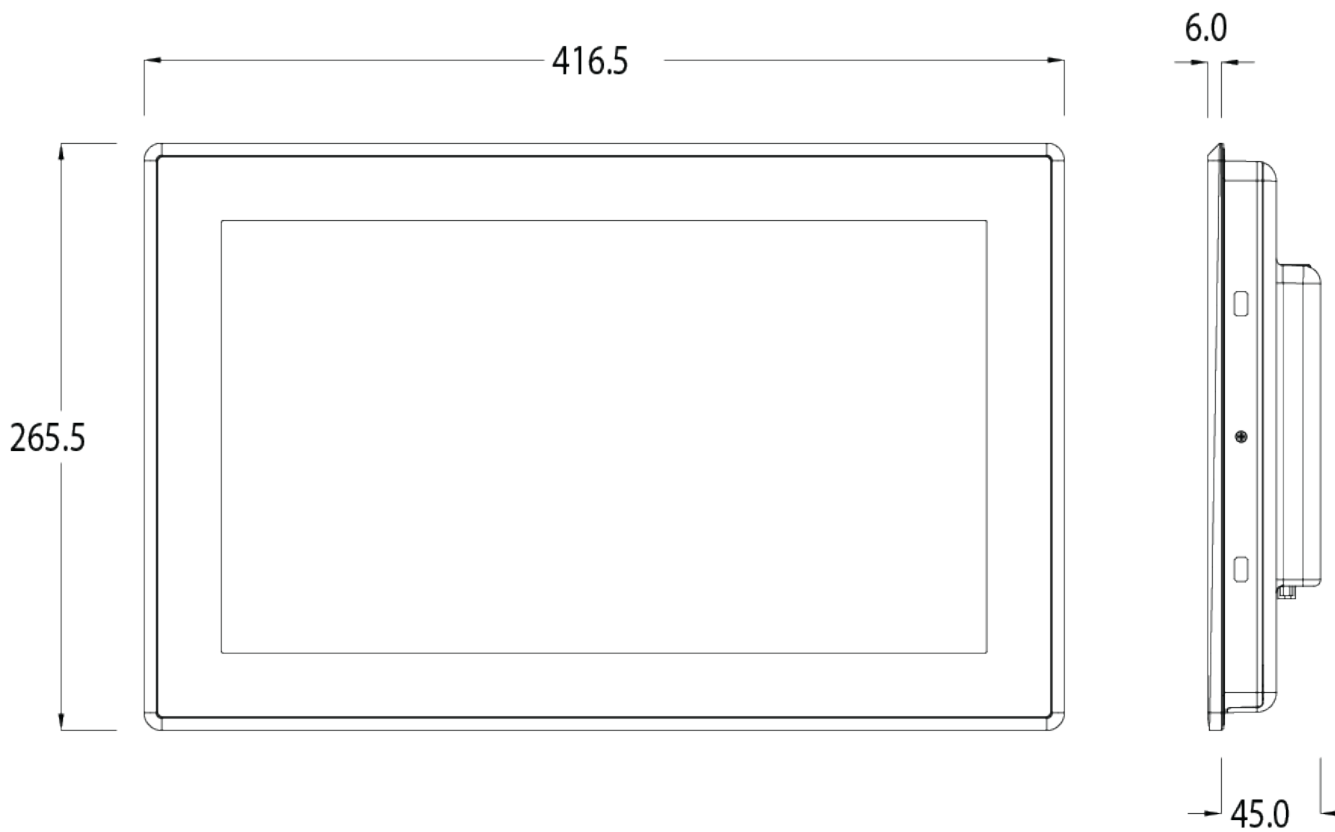
## EW107BD



EW110BD



EW115BD



# Esaware Web Panel

## Browser-based efficient control

### LINUX

MODEL	EW107BD4SP0000	EW110BD4SP	EW115BD4SP
Display Size	7"	10.1"	15,6"
Display Technology	TFT	TFT	TFT
Display Colors	16 M	16 M	16 M
Display Backlight	LED	LED	LED
Display Brightness (cd/m <sup>2</sup> )	500	350	300
Display Resolution (pixel)	1024 x 600	1280 x 800	1366 x 768
Backlight Life (hours)	50 K	30 K	50 K
Touch Technology	Capacitive	Capacitive	Capacitive
Processor	ARM Cortex A9 Quad-Core	ARM Cortex A9 Quad-Core	ARM Cortex A9 Quad-Core
RAM	2 GB DDR3L	2 GB DDR3L	2 GB DDR3L
Flash	8GB	8GB	8GB
Browser	Chromium / Firefox	Chromium / Firefox	Chromium / Firefox
Ethernet Port	1 x 1 GB + 1 x 10 / 100 Mb	1 x 1 GB + 1 x 10 / 100 Mb	1 x 1 GB + 1 x 10 / 100 Mb
USB Port	2 x vers. 2.0	2 x vers. 2.0	2 x vers. 2.0
Serial Port	1 X RS232/485	1 X RS232/485	1 x RS232 / 485
Expansion Slot	1 x MINI PCI express	1 x MINI PCI express	1 x MINI PCI express
Cardbus slot	1 x SDHC	1 x SDHC	1 x SDHC
Power Supply (Vdc)	12 - 32	12 - 32	12 - 32
Consumption (W)	7	24	24
Operating Temperature (°C)	-10 ... + 50 (non condensing)	-10 ... + 50 (non condensing)	-10 ... + 50 (non condensing)
Storage Temperature (°C)	-20 ... + 65	-20 ... + 65	-20 ... + 65
Humidity	<90% (non condensing)	<90% (non condensing)	<90% (non condensing)
External dimensions(W/H/D) (mm)	192 x 132 x 32	269,3 x 187,3 x 45	416,5 x 265,5 x 45
Cut-out dimensions (W/H) (mm)	185,0 x 125,0	255,5 x 173,5	402,5 x 251,5
Weight (kg)	0.5	1,1	3,7
Protection degree (front)	IP 66	IP 66	IP 66
Certifications	CE / EN60068-2-6 / EN60068-2-27 / Humidity EN60068-2-30 / UL	CE / EN60068-2-6 / EN60068-2-27 / Humidity EN60068-2-30 / UL	CE / EN60068-2-6 / EN60068-2-27 / Humidity EN60068-2-30 / UL

Esaware Web Panel  
Browser-based efficient control

**ANDROID**  
EW107BD

MODELLO	EW107BD2SP	EW107BD5SP
Display Size	7"	
Display Technology	TFT	
Display Colors	16 M	
Display Backlight	LED	
Display Brightness (cd/m <sup>2</sup> )	500	
Display Resolution (pixel)	1024 x 600	
Backlight Life (hours)	50 K	
Touch Technology	Capacitive	
Processor	ARM Cortex A9 Quad-Core	
RAM	2 GB DDR3L	
Flash	8GB	
Browser	Chrome/ WebView (fullscreen)	Automation Browser
Ethernet Port	1 x 1 GB + 1 x 10 / 100 Mb	
USB Port	2 x vers. 2.0	
Serial Port	1 X RS232/485	
Expansion Slot	1 x MINI PCI express	
Cardbus slot	1 x SDHC	
Power Supply (Vdc)	12 - 32	
Consumption (W)	7	
Operating Temperature (°C)	-10 ... + 50 (non condensing)	
Storage Temperature (°C)	-20 ... + 65	
Humidity	<90% (non condensing)	
External dimensions(W/H/D) (mm)	192 x 132 x 32	
Cut-out dimensions (W/H) (mm)	185,0 x 125,0	
Weight (kg)	0.5	
Protection degree (front)	IP 66	
Certifications	CE / EN60068-2-6 / EN60068-2-27 / Humidity EN60068-2-30 / UL	



Esaware Web Panel  
Browser-based efficient control

**ANDROID**  
EW110BD

MODELLO	EW110BD2SP	EW110BD5SP
Display Size	10,1"	10,1"
Display Technology	TFT	TFT
Display Colors	16 M	16 M
Display Backlight	LED	LED
Display Brightness (cd/m <sup>2</sup> )	350	350
Display Resolution (pixel)	1280 x 800	1280 x 800
Backlight Life (hours)	30 K	30 K
Touch Technology	Capacitive	Capacitive
Processor	ARM Cortex A9 Quad-Core	ARM Cortex A9 Quad-Core
RAM	2 GB DDR3L	2 GB DDR3L
Flash	8GB	8GB
Browser	Chrome / WebView (fullscreen)	Automation Browser
Ethernet Port	1 x 1 GB + 1 x 10 / 100 Mb	1 x 1 GB + 1 x 10 / 100 Mb
USB Port	2 x vers. 2.0	2 x vers. 2.0
Serial Port	1 x RS232 / 485	1 x RS232 / 485
Expansion Slot	1 x MINI PCI express	1 x MINI PCI express
Cardbus slot	1 x SDHC	1 x SDHC
Power Supply (Vdc)	12 - 32	12 - 32
Consumption (W)	24	24
Operating Temperature (°C)	-10 ... + 50 (non condensing)	-10 ... + 50 (non condensing)
Storage Temperature (°C)	-20 ... + 65	-20 ... + 65
Humidity	<90% (non condensing)	<90% (non condensing)
External dimensions(W/H/D) (mm)	269,3 x 187,3 x 45	269,3 x 187,3 x 45
Cut-out dimensions (W/H) (mm)	255,5 x 173,5	255,5 x 173,5
Weight (kg)	1,1	1,1
Protection degree (front)	IP 66	IP 66
Certifications	CE / EN60068-2-6 / EN60068-2-27 / Humidity EN60068-2-30 / UL	CE / EN60068-2-6 / EN60068-2-27 / Humidity EN60068-2-30 / UL

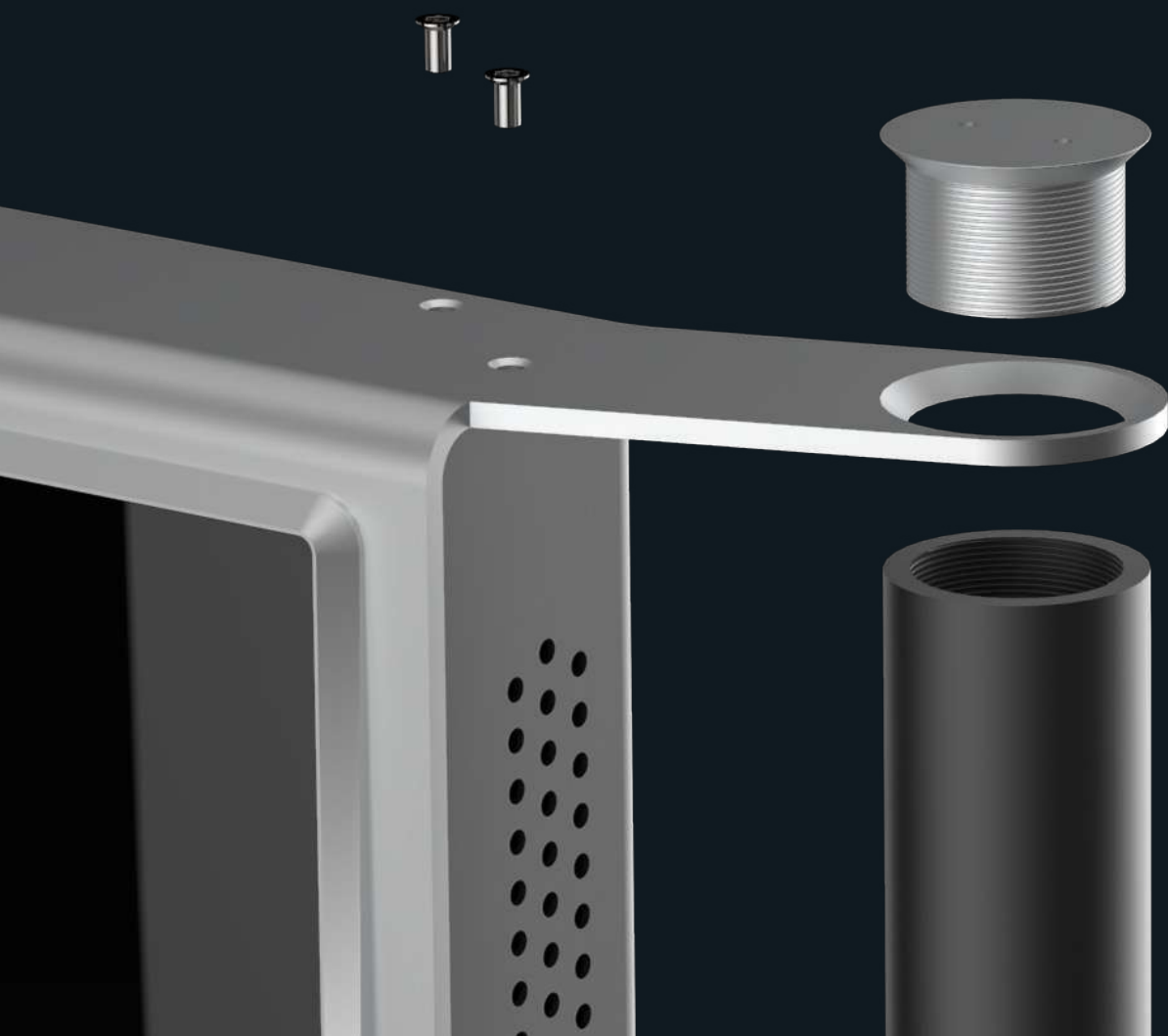
Esaware Web Panel  
Browser-based efficient control

# ANDROID

EW115BD

MODELLO	EW115BD2SP	EW115BD5SP
Display Size	15,6"	
Display Technology	TFT	
Display Colors	16 M	
Display Backlight	LED	
Display Brightness (cd/m <sup>2</sup> )	300	
Display Resolution (pixel)	1366 x 768	
Backlight Life (hours)	50 K	
Touch Technology	Capacitive	
Processor	ARM Cortex A9 Quad-Core	
RAM	2 GB DDR3L	
Flash	8GB	
Browser	Chrome / WebView (fullscreen)	Automation Browser
Ethernet Port	1 x 1 GB + 1 x 10 / 100 Mb	
USB Port	2 x vers. 2.0	
Serial Port	1 x RS232 / 485	
Expansion Slot	1 x MINI PCI express	
Cardbus slot	1 x SDHC	
Power Supply (Vdc)	12 - 32	
Consumption (W)	24	
Operating Temperature (°C)	-10 ... + 50 (non condensing)	
Storage Temperature (°C)	-20 ... + 65	
Humidity	<90% (non condensing)	
External dimensions(W/H/D) (mm)	416,5 x 265,5 x 45	
Cut-out dimensions (W/H) (mm)	402,5 x 251,5	
Weight (kg)	3,7	
Protection degree (front)	IP 66	
Certifications	CE / EN60068-2-6 / EN60068-2-27 / Humidity EN60068-2-30 / UL	

# ACCESSORIES





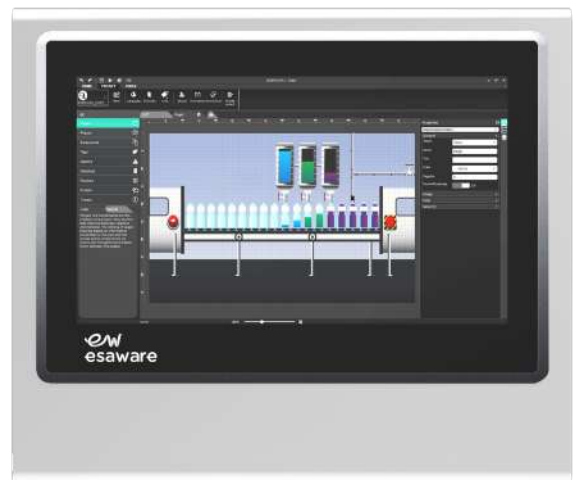
Hole D.25 mm  
Cable through



VESA Arm fixing kit

## VESA BOX

Simple design ready for VESA mounting; available for all sizes (7" - 10,1" - 15,6") with IP21 protection level.





## HAND HELD

Handheld solution including possibility to have customized push buttons.



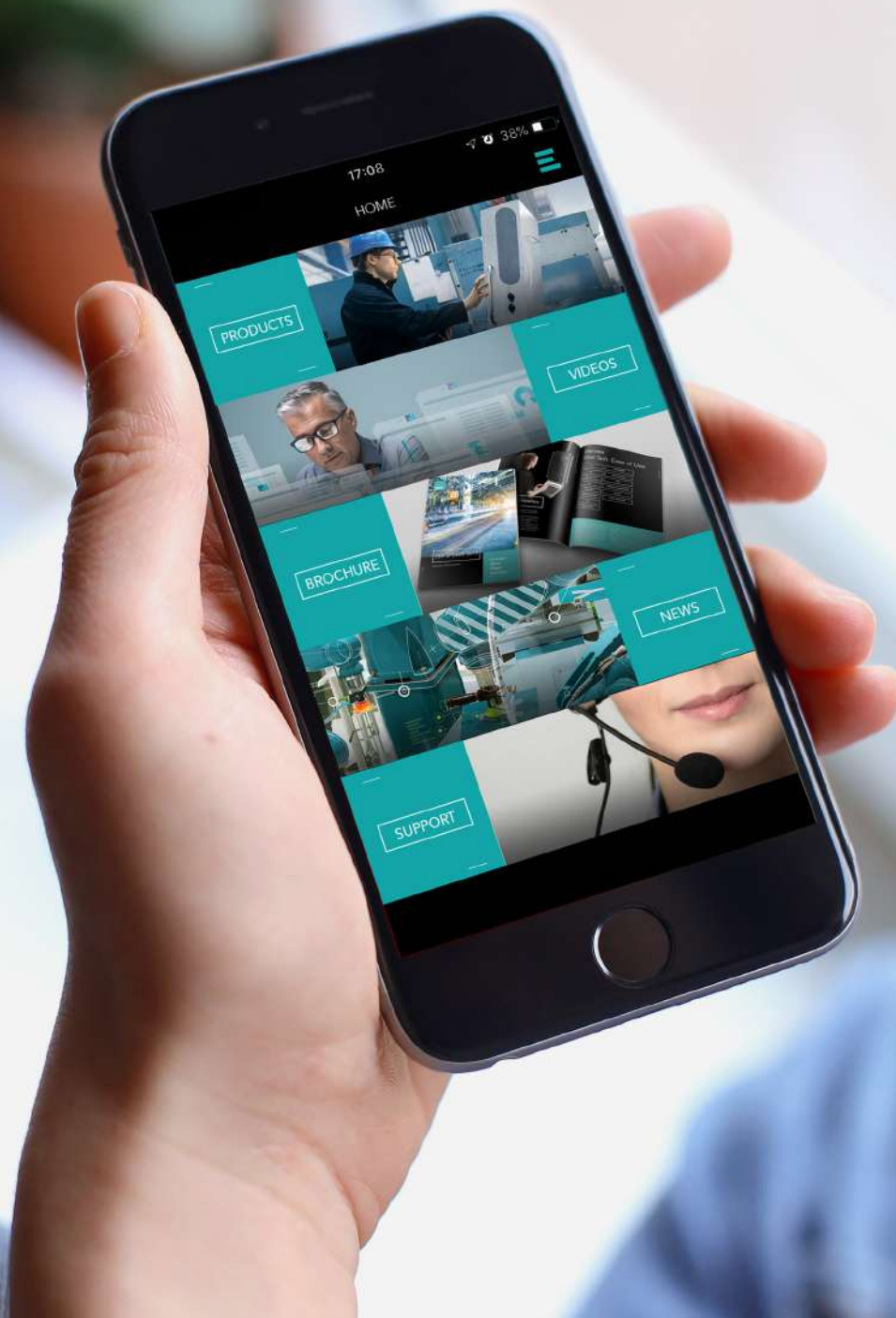
## ACCESSORIES

CODE	DESCRIPTION
EW107NN0PF	Transparent adhesive protection foil for Touch Screen 7". 5 pieces pack
EW115NN0PF	Transparent adhesive protection foil for Touch Screen 15". 5 pieces pack
PWR220-24A	Universal power supply 110-220VAC 50/60 Hz - Type L plug
PWR220-24B	Universal power supply 110-220VAC 50/60 Hz - Schuko (Type F+E plug)
EWACCWIFI000000	ANTENNA WIFI USB HMI LINUX
EWACCVESABOX07W	WebPanel BOX for EW107BD - 210x180x42 mm
EWACCVESABOX15W	WebPanel BOX for EW115BD - 485x335 mm - Handle L. 225 mm

## ORDER CODE

	Personalizzazioni																
EW	X	X	X	X	X	X	X	X	X	X	X	X	X	X	X	X	X
<b>Serie</b>																	
1= 100																	
<b>LCD</b>																	
04= 4,3" wide																	
07= 7" wide																	
10= 10.1" wide																	
12= 12,1" wide																	
15= 15,6" wide																	
<b>Front / Touch</b>																	
B= AluTeflon Capac																	
<b>Type</b>																	
D= Web Panel																	
<b>RT</b>																	
2= Android OS*																	
4= Linux*																	
5= Android OS + Automation Browser*																	
<b>Opzione Porte</b>																	
SP= Porta seriale																	
<b>Opzione Wireless</b>																	
00 = no radio option																	
<b>Personalizzazione</b>																	
empty = No Personalizzazione																	

\* Da usare solo in combinazione con codice Type D



Download our free App to get  
**ESA Catalog**  
on your smartphone or tablet

The complete range of ESA products  
on your smartphone and tablet with one  
tap.



Download from





**ESA S.p.A. | Headquarters**  
Via Padre Masciadri 4/A  
22066 Mariano Comense (CO) Italy  
Tel. +39 031 757400  
Fax. +39 031 751777  
info@esa-automation.com

**ESA energy S.r.l.**  
Via Fortunato Zeni 8  
38068 Rovereto (TN) - Italy  
Tel. +39 0464 443272  
Fax. +39 0464 443273

**ESA Europa S.L.U.**  
Passeig del Ferrocarril, 335  
08860 Castelldefels (Barcelona) - España  
Tel. +34 936455014  
Fax. +34 936455013

**ESA Automation Technology (Shanghai) Co. Ltd**  
Room1006-2, Building 21B, 1158 Zhongxin Road,  
Songjiang Dist. Shanghai, CHINA  
Tel: 021-60907250  
Fax: 021-60907258  
Post code: 201199

**ESA S.p.A. | LBU**  
Via Molise, 1 - Z.I. Gello  
56025 Pontedera (PI) - Italy  
Tel. +39 0587 296014  
Fax. +39 0587 294240

**ESA S.p.A. | LBU**  
Via Monari Sardè 14  
40010 Bentivoglio (BO)  
Tel. +39 051 6640464

**ESA Elettronica GmbH**  
Carl-Zeiss-Strasse, 35  
63322 Rödermark - Deutschland  
Tel. +49 6074 486 45 0  
Fax. +49 6074 486 45 66

**ESA Software & Automation India Pvt. Ltd**  
HYBRID TOWERS , NO: 5AC-101 , 1st Floor, 2nd  
Main,HRBR Layout, 3 rd Block,Kalyan Nagar Post,  
Bangalore-560 043 – INDIA  
Tel. +91 80 25435656

**ESA Elektronik Technology Ticaret Limited Şirketi**  
Mahmutbey Mahallesi Taşocağı yolu caddesi  
Ağaoğlu 212 My Office No:3 Ofis No:239  
Bağcılar/Istanbul - Türkiye  
Tel: +90(212) 809 49 00-01  
Fax: +90(212) 809 49 02

Connect  
ideas.  
Shape  
solutions.